

(Read ebook) British Napoleonic Artillery 1793–1815 (2): Siege and Coastal Artillery (New Vanguard)

British Napoleonic Artillery 1793–1815 (2): Siege and Coastal Artillery (New Vanguard)

Chris Henry

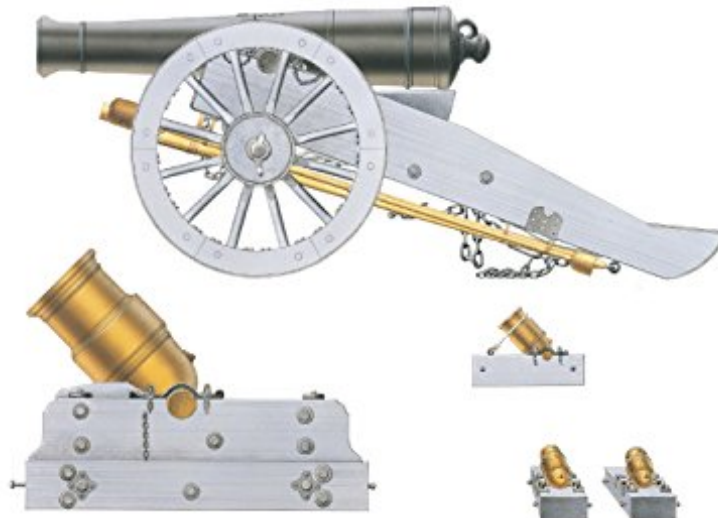
ePub | *DOC | audiobook | ebooks | Download PDF

New Vanguard


OSPREY
PUBLISHING

British Napoleonic Artillery 1793–1815 (2)

Siege and Coastal Artillery



Chris Henry • Illustrated by Brian Delf

 Download

 Read Online

#1299264 in Books 2003-02-19 2003-02-19 Original language: English PDF # 1 245.87 x .10 x 7.211, .37
#File Name: 184176477948 pages | File size: 70.Mb

Chris Henry : British Napoleonic Artillery 1793–1815 (2): Siege and Coastal Artillery (New Vanguard) before purchasing it in order to gauge whether or not it would be worth my time, and all praised British Napoleonic Artillery 1793–1815 (2): Siege and Coastal Artillery (New Vanguard):

0 of 0 people found the following review helpful. Well-researched technical book with just about everything you would want to know about the British Napoleonic siege artillery By Stephen P. Ford I have been very pleased with and impressed with the quality of Osprey publications. The Vanguard and New Vanguard series are focused on specific weapon systems. British Napoleonic Artillery 1793-1815 (2): Siege and Coastal Artillery... provides information on the British siege and coastal artillery equipment and organization, the guns in action, etc. it is the 2nd volume in the series

on British Napoleonic artillery. Well-researched technical book with just about everything you would want to know about the British Napoleonic siege artillery. 0 of 0 people found the following review helpful. Five Stars By William Hazlett very good

Following on from the first volume covering British Napoleonic Artillery, this volume concentrates on the heavy weapons of siege and coastal defences. This book covers the main equipments used; the 24 pounder siege gun and a variety of mortars. Mortars varied from 4- or 5-inch versions up to a 13 inch calibre and were considered to be extremely effective because they used an exploding shell to destroy fortifications or personnel. Also covered in detail is the specialist bomb vessel, which was used to attack fortifications in a similar fashion; siege techniques; and the tactical use of siege and coastal artillery.

From the Publisher The unrivalled illustrated reference on fighting vehicles, transport and artillery through the ages. Each volume is illustrated throughout, making these books uniquely accessible to history enthusiasts of all ages. About the Author Chris Henry has been interested in military history since he was a small boy. His interest in artillery developed whilst a volunteer worker at the Tower of London and he became Senior Curator at the Royal Armouries Museum of Artillery At Fort Nelson. He is now the Head of Collections at the Museum of the Royal Artillery.